

Mini Bulk Cable (Gray/Blue)



Mini bulk cable is primarily used as trunk cable, but it can also be used as drop lines. Bulk cable with field-attachable connectors allows for maximum flexibility as cables can be made on the job to exact lengths.

- Meets and exceeds NMEA 2000® specifications for the highest reliability
- Trunk or drop cable for use with Mini connectors
- Used with field-attachable connectors to build exact length cables at the job site

Mini Field-Attachable Connector (Male/Female)



Field-attachable connectors allow you to make field connections to bulk cable. The color-coded screw terminals match the individual wire colors found within the bulk cables for error-free field installation.

- Color-coded screw terminators make for error-free field installation
- Rugged housing material designed to withstand harsh marine environments

Mini Double-Ended Cordset (Gray)

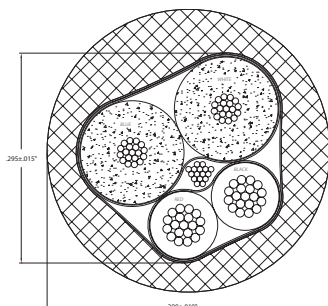


Double-ended cordsets are used for trunk or drop lines and make for a secure connection and simple timesaving installation. The connectors are keyed for error-free connection and are waterproof for continued operation even while submerged in the bilge.

- Rugged, IP68 rated connectors for continued connection integrity in marine environment
- Various cable lengths to match installation requirements

Copyright 2017 Maretron, LLP. All rights reserved. As Maretron is constantly improving its products, all specifications are subject to change without notice. Maretron's products are designed to be accurate and reliable; however, they should be used only as aids to navigation and vessel monitoring, and not as a replacement for traditional navigation and vessel monitoring techniques. A prudent captain or navigator never relies on a single source for navigation or system monitoring information. "NMEA 2000" is a registered trademark of the National Marine Electronics Association.

Mini Bulk Cable (Gray/Blue)



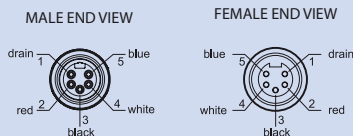
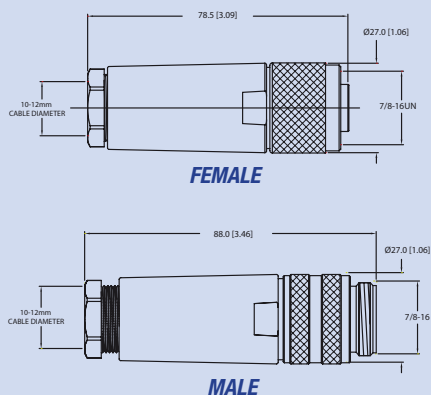
Specifications

OVERALL	
Outer Jacket Mat/Color:	PVC/Blue – NB1 PVC/Gray – NG1
Insulation Material:	PE (data), PVC (power)
Construction:	2x15 (1.45mm) AWG, 2x18 (1.02mm) AWG, 18 (1.02mm) AWG Drain Wire
Shielding (3 Levels):	Foil (overall), Foil (power pair), Foil (data pair)
POWER PAIR	
Wire:	2x15 (1.45mm) AWG
Resistance/Conductor:	3.44 Ohms/1000 ft max
Max Amperage:	16 Amps – NB1 14 Amps – NG1
Color Code:	Red/Black
DATA PAIR	
Wire:	2x18 (1.02mm) AWG
Characteristic Impedance:	120 Ohms ± 10%
Capacitance:	12 pF/1000 ft Max
Color Code:	White/Blue
APPROVALS	
UL:	PLTC 75°C Sunlight Resistant E90625, AWM 80°C 300V
CSA:	CMX-OUTDOOR-CMG LL54185 75°C, AWM I/II A/B 80C 300V FT4
NMEA:	NMEA 2000® APPROVED
IEC:	IEC-61162-3

Products

PART NUMBER	DESCRIPTION
NG1	Mini Bulk Cable (per meter – gray) (no spool)
NG1-100	Mini Bulk Cable (Two Pieces per 100m spool – gray)
NG1-100C	Mini Bulk Cable (Single Piece per 100m spool – gray)
NB1	Mini Bulk Cable (per meter – blue) (no spool)
NB1-100	Mini Bulk Cable (Two Pieces per 100m spool – blue)
NB1-100C	Mini Bulk Cable (Single Piece per 100m spool – blue)

Mini Field-Attachable Connector (Male/Female)



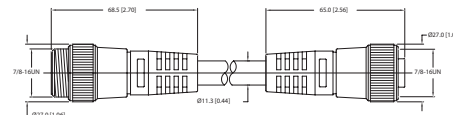
Specifications

MECHANICAL	
Housing Mat/Color:	Glass Filled Nylon/Black
Contact Mat/Plating:	Brass/Gold
Coupling Nut Material:	Anodized Aluminum
Maximum Wire Size:	16 (1.29mm) AWG
Termination Method:	Screw Terminal
ELECTRICAL	
Rated Current:	9.0 Amps
Rated Voltage:	250 Volts
ENVIRONMENTAL	
Protection Class:	IEC IP67
Temperature Range:	-40°C to 85°C (-40°F to 185°F)
APPROVALS	
NMEA:	NMEA 2000® Approved
IEC:	IEC-61162-3

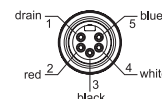
Products

PART NUMBER	DESCRIPTION
FA-NF-ST	Mini Field Attachable Connector (Female)
FA-NM-ST	Mini Field Attachable Connector (Male)

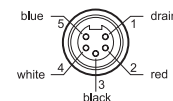
Mini Double-Ended Cordset (Gray)



MALE END VIEW



FEMALE END VIEW



Specifications

MECHANICAL	
Contact Carrier Mat/Color:	Thermoplastic PUR/Blue-Gray
Molded Head Mat/Color:	Thermoplastic PUR/Blue-Gray
Contact Mat/Plating:	Brass/Gold
Coupling Nut Mat/Plating:	Brass/Nickel
Connector Outside Diameter:	1.06"
ELECTRICAL	
Current Rating:	9.0 Amps
Voltage Rating:	300 V
CABLE	
Outer Jacket Mat/Color:	PVC/Gray
Conductor Insulation Material:	PE (data pair), PVC (power pair)
Number of Conductors:	Power 2x15 (1.45mm) AWG, 2x18 (1.02mm) AWG, 18 (1.02mm) AWG Drain Wire
Shielding (3-Levels):	Braid (Overall), Foil (Power Pair), Foil (Data Pair)
ENVIRONMENTAL	
Protection Class:	IEC IP68, NEMA 1,3,4,6P
Temperature Rating:	-40°C to 80°C (-40°F to 176°F)
APPROVALS	
(Cable) UL:	PLTC 75°C Sunlight Resistant E90625, AWM 80°C 300V
(Cable) CSA:	CMX-OUTDOOR-CMG LL54185 75°C, AWM I/II A/B 80C 300V FT4
NMEA:	NMEA 2000® Approved
IEC:	IEC 61162-3

Products

PART NUMBER	DESCRIPTION
NM-NG1-NF-00.5	Mini Double-Ended Cordset - M to F - 0.5M (gray)
NM-NG1-NF-01.0	Mini Double-Ended Cordset - M to F - 1M (gray)
NM-NG1-NF-02.0	Mini Double-Ended Cordset - M to F - 2M (gray)
NM-NG1-NF-03.0	Mini Double-Ended Cordset - M to F - 3M (gray)
NM-NG1-NF-04.0	Mini Double-Ended Cordset - M to F - 4M (gray)
NM-NG1-NF-05.0	Mini Double-Ended Cordset - M to F - 5M (gray)
NM-NG1-NF-06.0	Mini Double-Ended Cordset - M to F - 6M (gray)
NM-NG1-NF-08.0	Mini Double-Ended Cordset - M to F - 8M (gray)
NM-NG1-NF-10.0	Mini Double-Ended Cordset - M to F - 10M (gray)